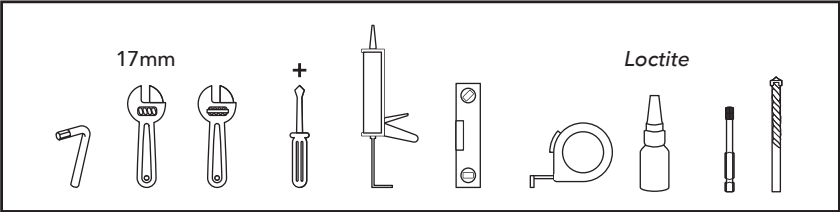
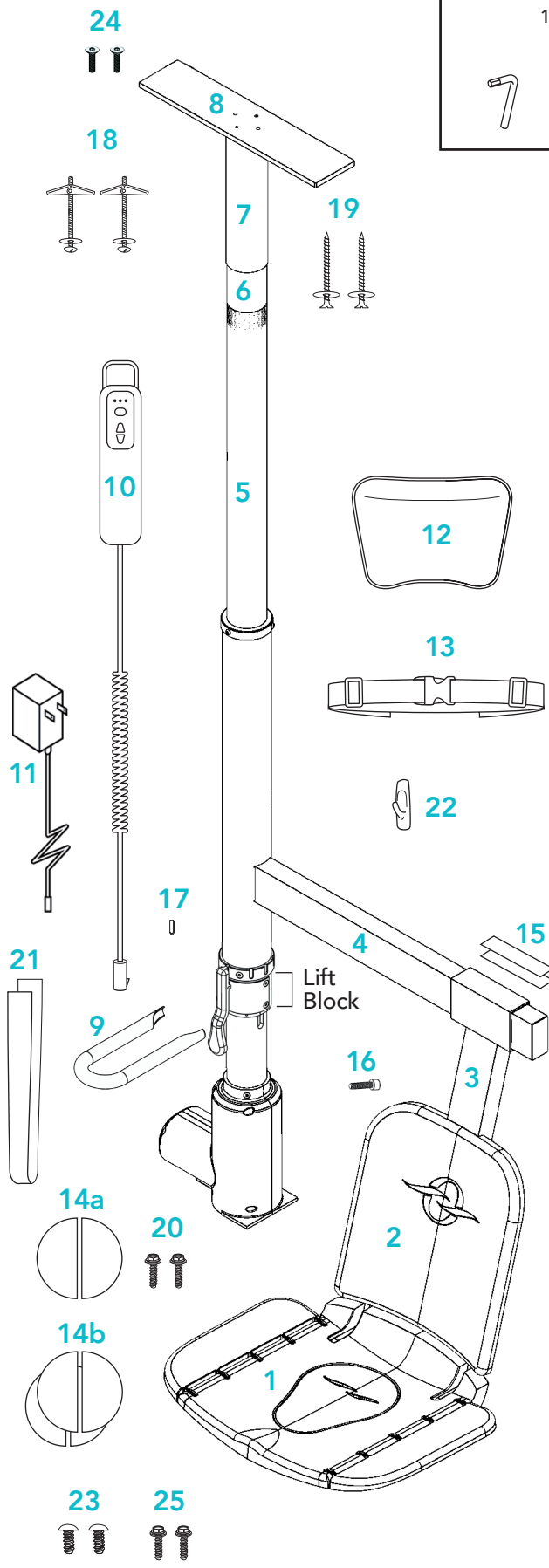




ASSEMBLY AND USE INSTRUCTIONS

SERIE 200



TOOLS

- English Wrench
- 17mm Wrench
- Star Screwdriver
- Silicone Bathroom Clear
- Crack and Gap Filler
- Metric Allen Wrench
- Magnetic Level
- Tape Measure
- Loctite Glue
- 5/16 in. diamond drill bit
- 3/16 in. concrete drill bit

PARTS

- 1 Chair
- 2 Backrest
- 3 Chair Support
- 4 Hanger Arm
- 5 Mast
- 6 Extension with worm screw
- 7 Deco Tube
- 8 Ceiling Plate
- 9 Grab Bar
- 10 Controller
- 11 Controller Charger
- 12 Cushion
- 13 Body belt
- 14a 1 Extra Pair of Male Velcros
- 14b 2 Pairs of Female Velcros (1 extra)
- 15 2 Shims (Spacers)
- 16 Retaining tool
- 17 Insert for the notch
- 18 2 Butterfly Screws
- 19 2 Wood Screws
- 20 2 Floor Screws
- 21 Controller Strap
- 22 Controller hook
- 23 2 Heating floor screws
- 24 2 Gypsum ceiling screws
- 25 2 Concrete screws

SUMMARY OF INSTALLATION STEPS

The installation of the Secur-O-Bain system is the responsibility of the installer (please take photos before installation).

- 1 Determine the type of installation, screwed to the floor or not.
- 2 Plug in the controller.
- 3 Take the mast out of the box and place it on top of it.
- 4 Rotate the base as needed according to the required configuration.
- 5 Clean the floor, trace the position of the mast with the template, and place the female Velcro.
- 6 Determine the position of the lifting block.
- 7 Lock the lifting block at the determined height.
- 8 Insert the hanger arm onto the mast in the correct direction.
- 9 Adjust the length of the mast according to the ceiling height minus 2 inches.
- 10 Insert the deco tube (cut for a ceiling height of 83 to 91 inches).
- 11 Install the grab bar in the correct direction.
- 12 Clean the anti-slip surface of the ceiling plate and apply a silicone cord around the female Velcro on the floor.
- 13 Place the base of the mast on the Velcro, install the ceiling plate, level the mast, and fasten it securely.
- 14 Slide the deco tube up and screw it in.
- 15 Place the chair support in the center of the bath, insert the aluminum shims, and screw them in place.
- 16 Insert the chair into the support and screw it in according to the adjustment determined in step 6.
- 17 Adjust the rubber legs so that they rest on the bottom of the bathtub.
- 18 Install and screw in the backrest.
- 19 Place the cushion, belt, and controller strap (make sure your hands are clean).
- 20 Customize the chair according to the user's needs (armrest, body belt, push arms, insert, rotating the ring for use without a stop notch).
- 21 Test and demonstrate the lift chair to the user.
- 22 Clean the chair and the environment.
- 23 Photograph the installation

PRIORITIZE A SCREWED ON FLOOR INSTALLATION

- 1 Determine the type of installation with or without screws on floor according to the box below.



1 FOR A SAFE INSTALLATION WITHOUT SCREWS ON FLOOR, 4 CONDITIONS MUST BE MET

For this type of installation, an annual inspection is recommended.



a rigid, non-sloping ceiling



A smooth ceramic or masonry floor



A user whose weight does not exceed 250 lb

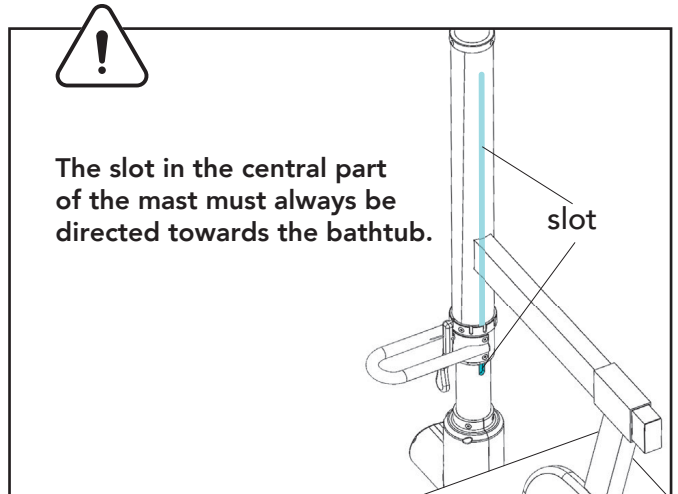
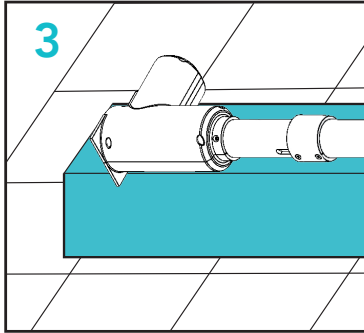
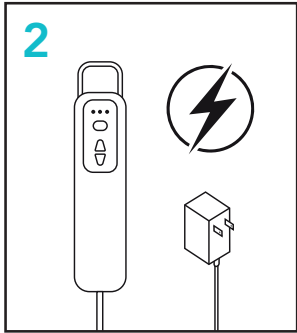


A dry silicone applied for at least 48 hours

If the ceiling is sloping, or in a flexible material, if the floor is wood, or if the user's weight is greater than 250 lb (115 kg), carry out an installation screwed to the floor.

The steps to follow for a screwed on floor installation are identified with a blue box. Please skip these steps if your installation is not bolted down.

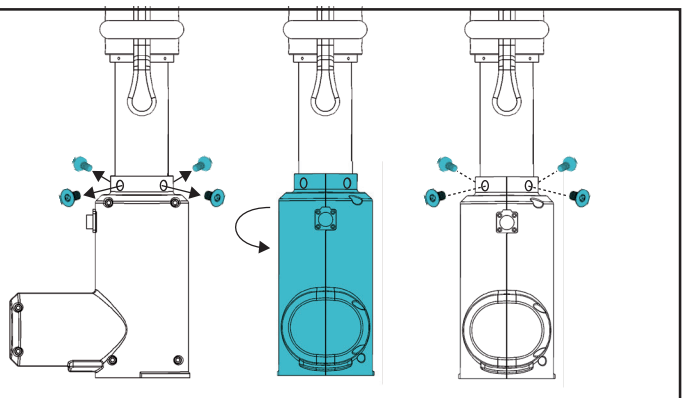
- 2 Connect the controller to the charger.
- 3 Take the mast out of the box and place it on the box.



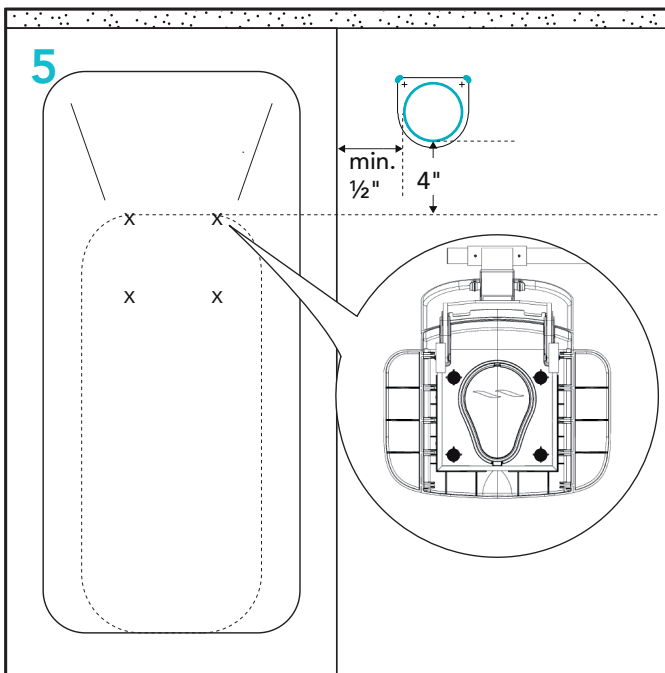
4 / IF NEEDED

If needed, orient the base in the same direction as the grab bar by turning it a quarter turn; unscrew the 4 screws, rotate and screw back in.

This adjustment minimizes the space required for installation.



- 5 Determine the location of the base of the mast. Position the template according to the motor orientation (step 4) and trace the Velcro circle as well as the corners.

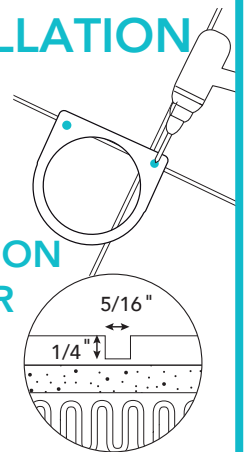


SCREWED INSTALLATION

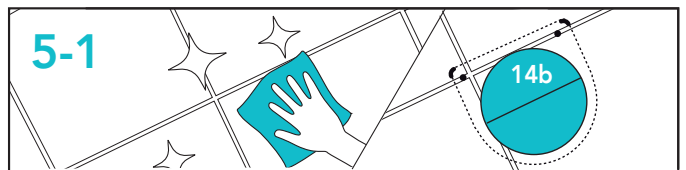
If your floor is ceramic, drill it at the location of the screws using the template.

SCREWED INSTALLATION WITH HEATING FLOOR

Drill to a depth of 1/4 and a diameter of 5/16".



- 5-1 Clean the floor and place a pair of female velcros (14b) in the location determined in the previous step.



ADJUSTING THE CHAIR TO THE BOTTOM OF THE BATH

6 Determine the height of mast lift block, so that the chair is at its lowest point at the bottom of the bath.

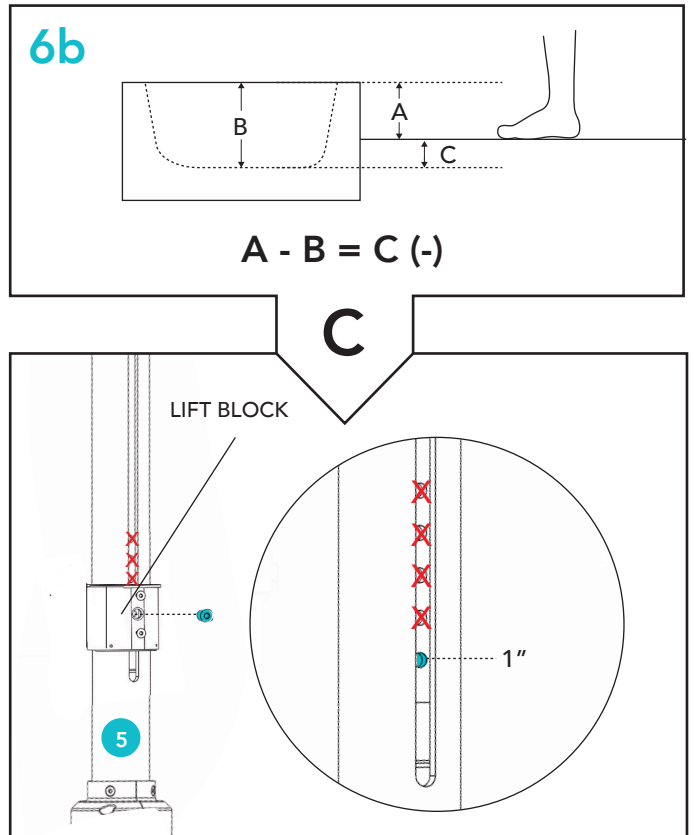
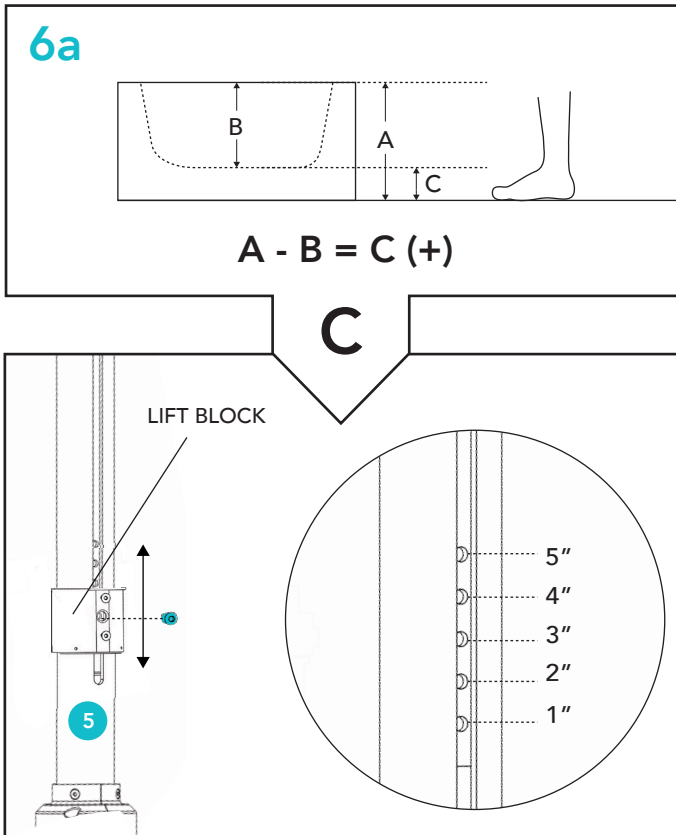
WHERE TO POSITION THE LIFT BLOCK IF

6a THE BOTTOM OF THE TUB IS HIGHER THAN THE FLOOR

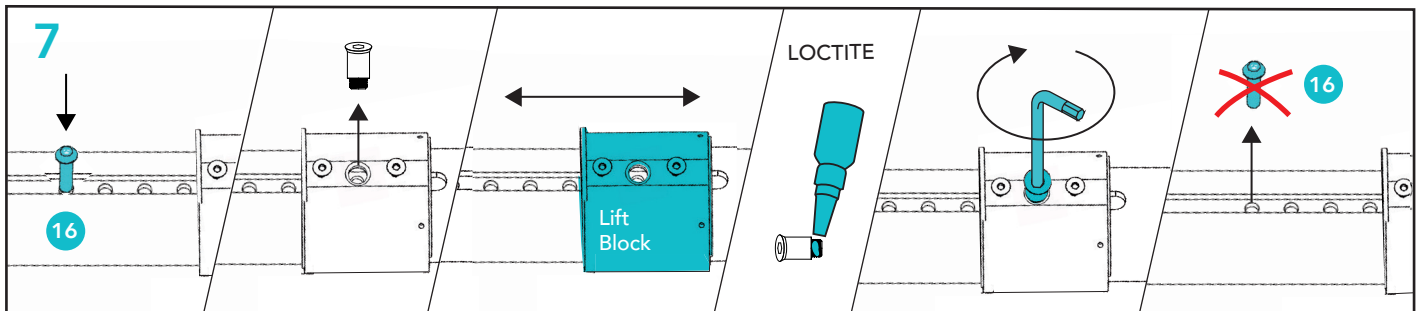
Choose the corresponding hole for your measurement "C" by rounding down. For example, if the bottom of the tub is higher than the floor by 2.5 inches, position the lift block at the 2-inch hole. The missing half inch will be adjusted later through the chair support.

6b THE BOTTOM OF THE TUB IS LOWER THAN THE FLOOR

Position the lift block on the "1 inch" hole of the mast regardless of the measurement "C". The adjustment will be made at a later step at the level of the chair and its support for this configuration.

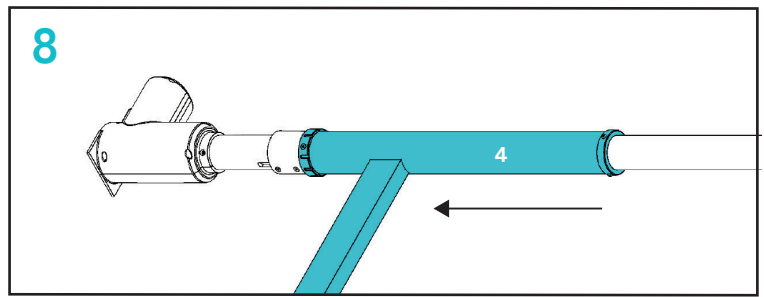


7 Lock the central mast tube by using retaining tool 16. Remove the central screw from the lift block using an Allen key. Position the lift block at the location determined in step 6. Apply a Loctite-style adhesive to the threads of the removed screw. Replace it in place with the Allen key and screw it tightly. Remove retaining tool 16.



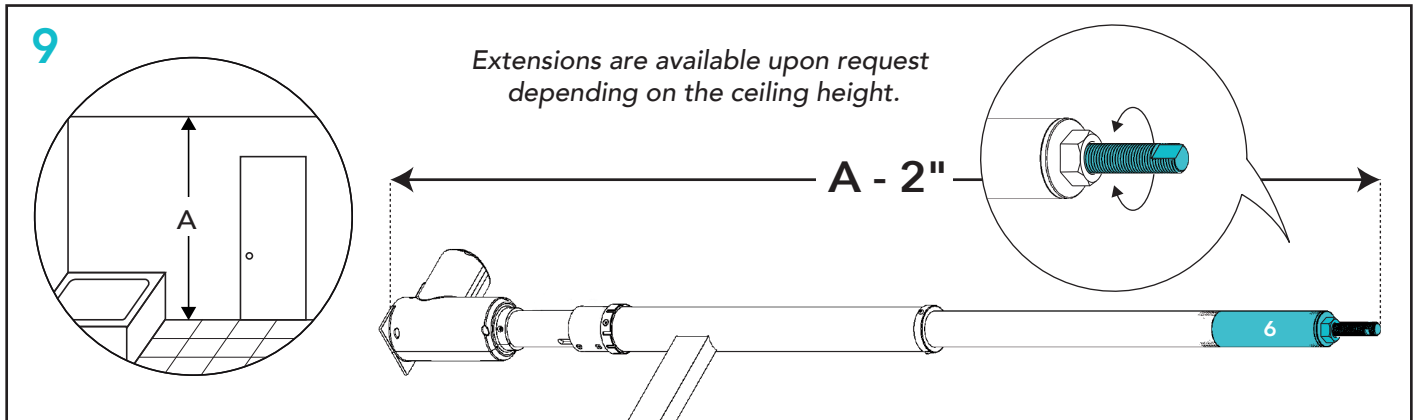
The screw of the lift block must be glued even if no adjustment of the lift block is required.

8 Insert the hanger arm on the mast in the right direction.

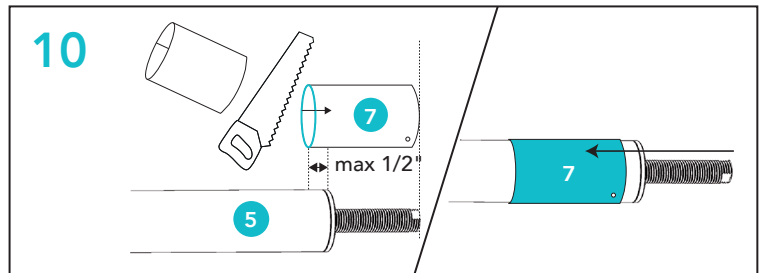


9 ADJUSTING THE LENGTH OF THE MAST ACCORDING TO THE CEILING HEIGHT

Install the extension with the worm screw (6) and adjust the total length to the ceiling height minus two inches. For 83 to 92 in. ceiling, use only the worm screw; for 92 to 101 in. ceiling, use the extension as well.

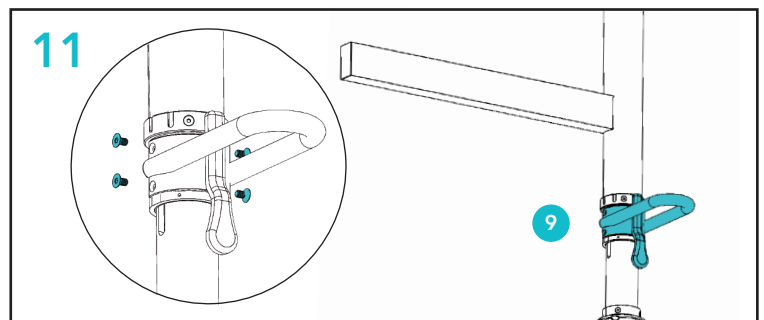


10 Install the deco tube (7) to hide the worm screw. The deco tube must be cut to length on the side opposite the screw holes, if the ceiling measurements are between 83 inches and 91 inches. It should not exceed 1/2 inch on the stainless steel tube of the mast (5).



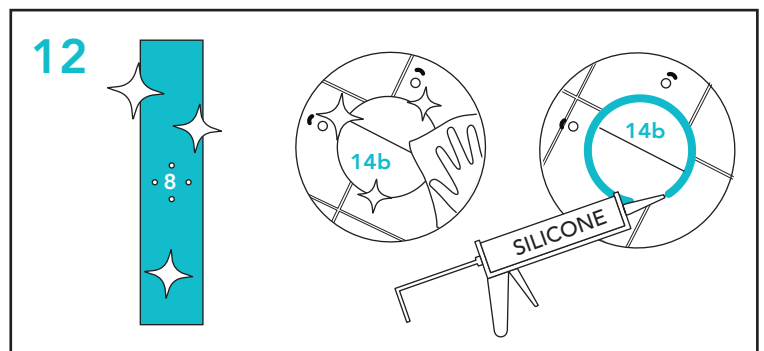
11 Install the grab bar on the left or right side, depending on the location of the bath.

Installing the grab bar at this stage will allow a better grip for the installation of the mast which has a weight of 45 Kg.

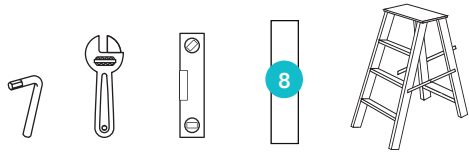


12 Thoroughly clean the anti-slip on the ceiling plate and the floor around the velcro. Apply a 1/4\"/>

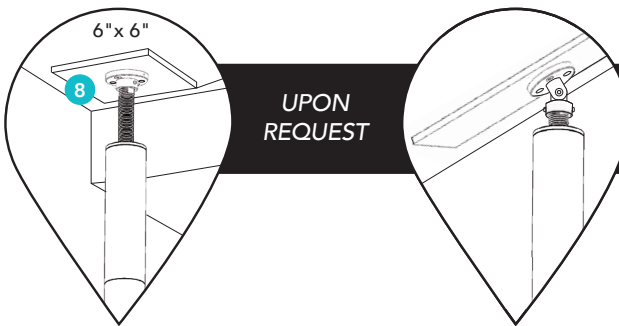
This solidifies and will prevent water from seeping under the base of the mast. It is important that the anti-skid on the base, the ceiling plate and the floor are clean in order to be effective.



PREPARATION FOR MAST INSTALLATION



Prepare the stepladder with the necessary tools for this step: wrench, Allen Key, level and ceiling plate.



SQUARE CEILING PLATE (8)
AND SLOPE CEILING ADAPTER
AVAILABLE UPON REQUEST

13 INSTALLATION OF THE MAST (BEWARE HEAVY - DO NOT SCRATCH)

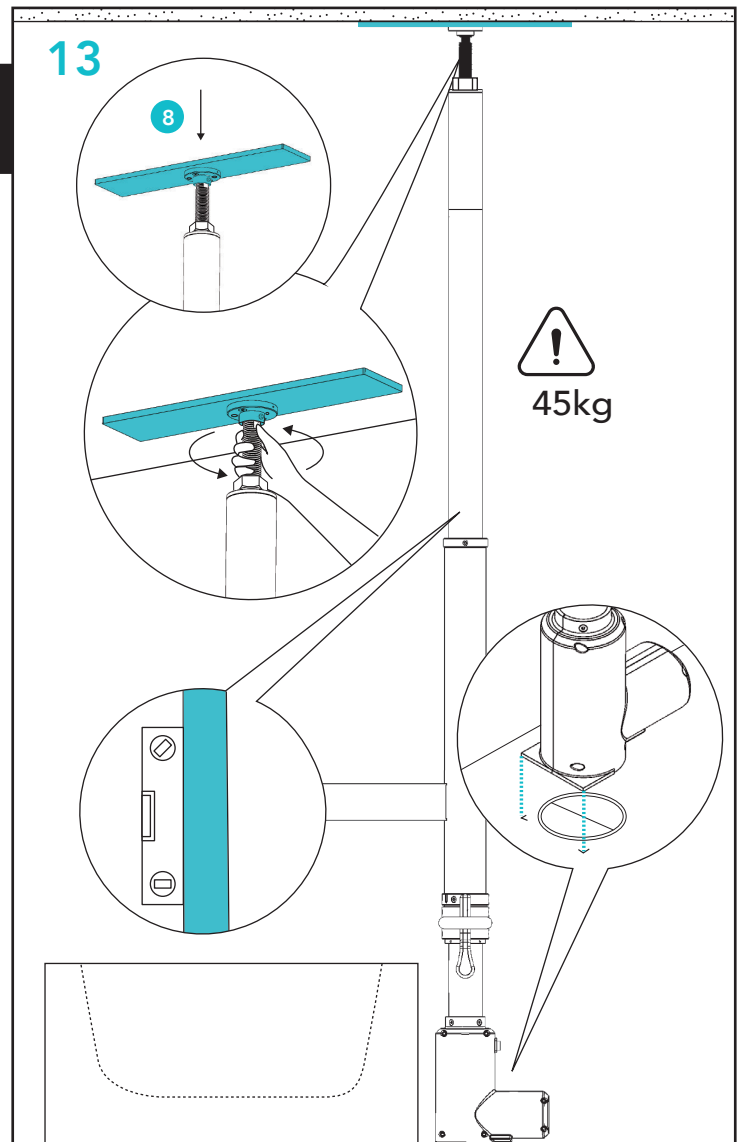
Place the base on the velcro without touching the silicone to avoid spreading it on the velcro.

Position the mast vertically and the hanger arm towards the bath. Place the ceiling plate on the worm screw and tighten it by hand to press the plate to the ceiling. Make sure the pole is parallel to the wall or perpendicular to the bath.

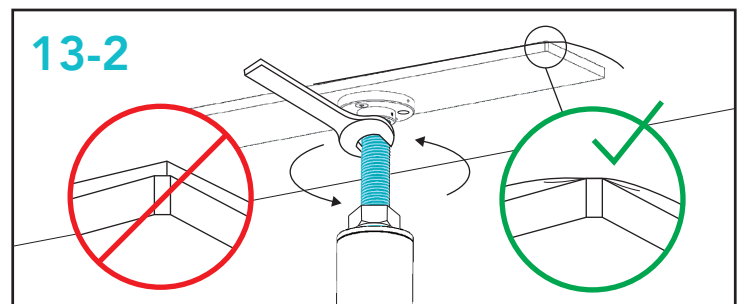
Level the mast in both directions.



The ceiling plate is heavy and dropping it can cause injury and property damage.

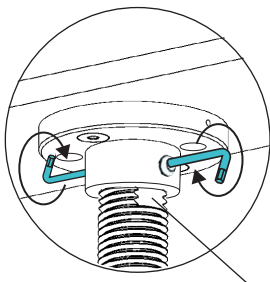


13-2 Tighten the worm screw until the corners of the ceiling plate begin to sink slightly into the drywall.

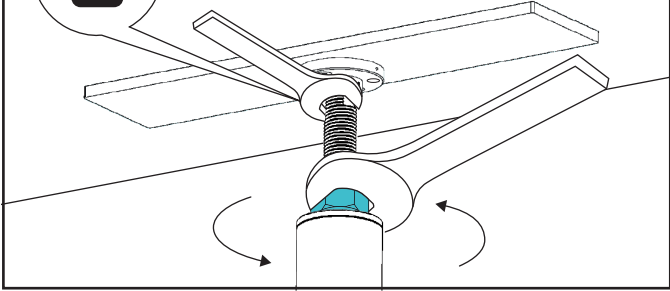


13-3

Tighten the plate screw onto the flat side of the worm screw, then tighten the nut to lock it in place.

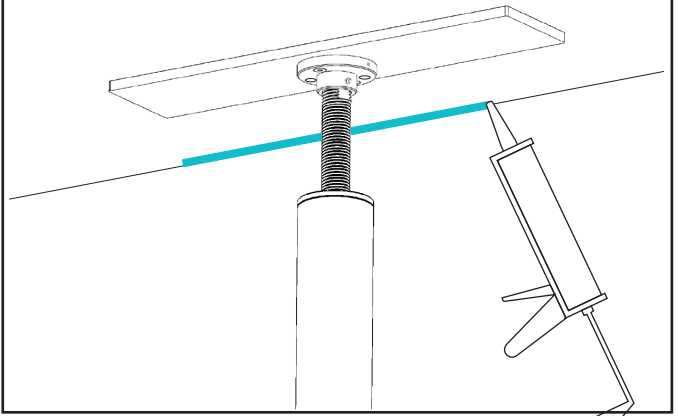


FLAT SIDE



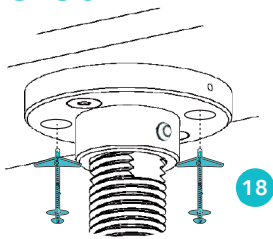
13-4 IF NEEDED

If the wall/ceiling intersection opens under the effect of the pressure exerted on the ceiling, fill with the gap filler.



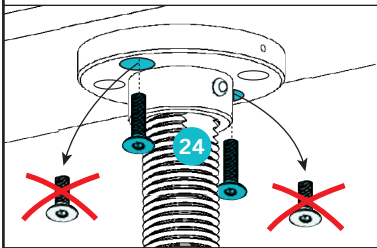
13-5a

GYPSUM



18

✓ Replace one at a time ✓



GYPSUM OR WOOD CEILING ?

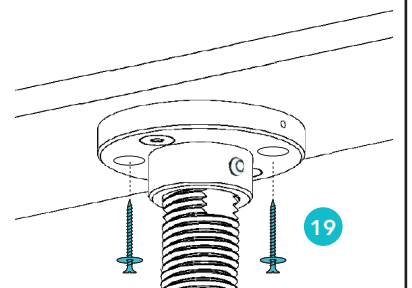
13-5a GYPSUM CEILING

Drill the drywall without pushing the drill any further, passing through the holes in the washer (drilling too deep could damage the pipe or other element inside the ceiling). Insert the 2 butterfly screws (18). Then remove the first Allen head screw and replace it with a longer no. 24 screw. Repeat the operation with the second Allen head screw.

13-5b

WOOD CEILING

Insert the 2 wood screws (19) through the holes in the ceiling plate washer.



19

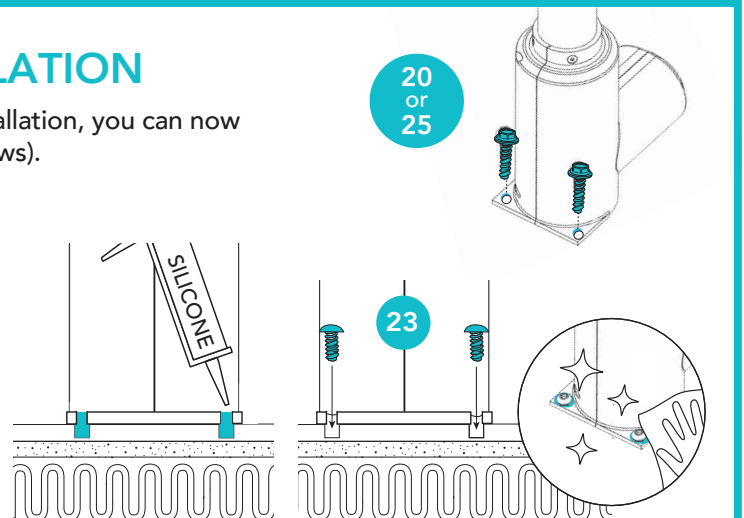
SCREWED AT FLOOR INSTALLATION

If you determined in step 1 a screwed on floor installation, you can now screw the base of the mast (wood or concrete screws).

SCREWED INSTALLATION WITH HEATING FLOOR

Position the base of the mast by aligning the holes in the base with those in the floor and fill the holes with silicone.

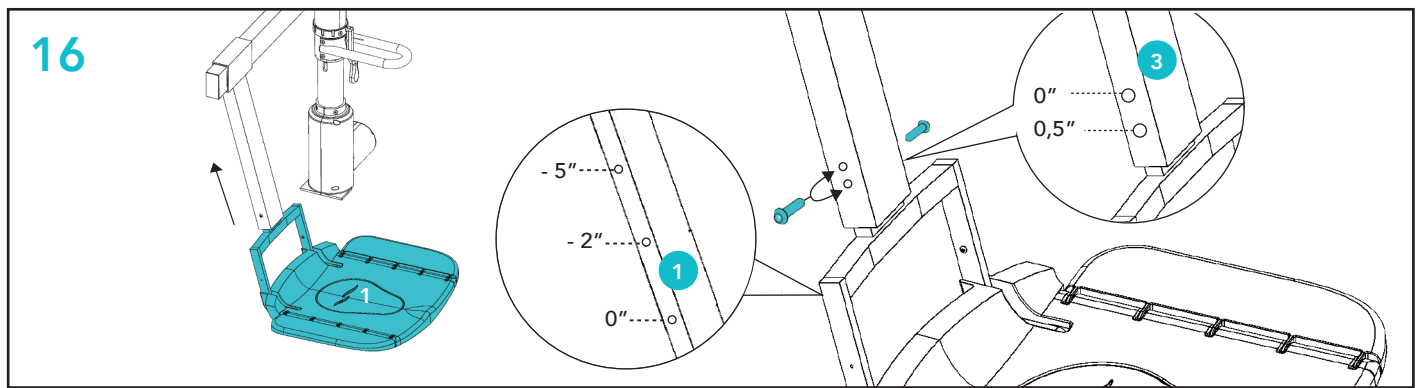
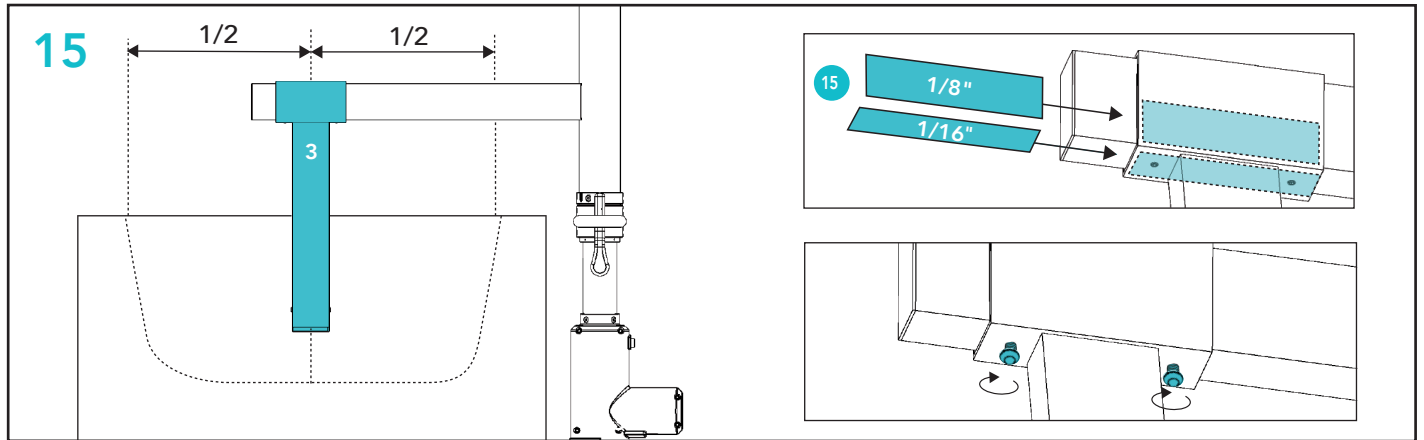
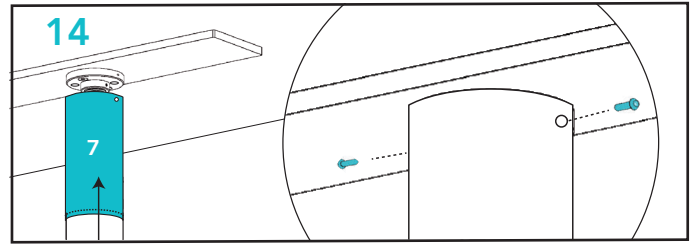
Tighten the screws 23 and clean the excess silicone.



14 Assemble the deco tube over the worm screw and screw it with the two star screws.

15 Install the chair support in the center of the bathtub. Insert the shims then screw.

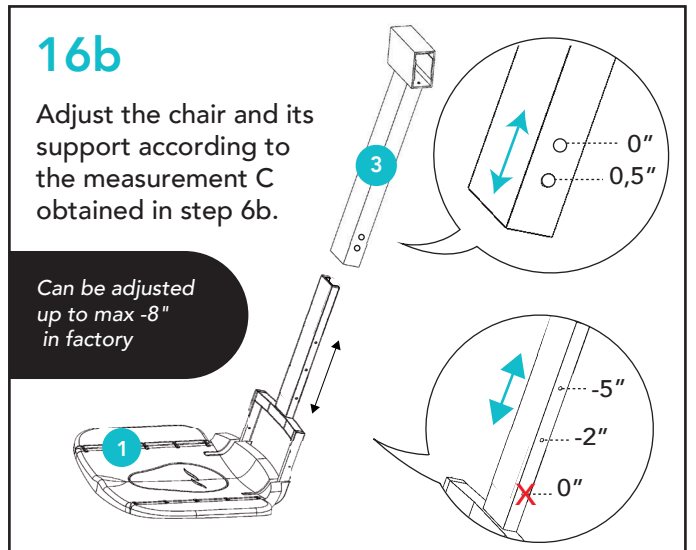
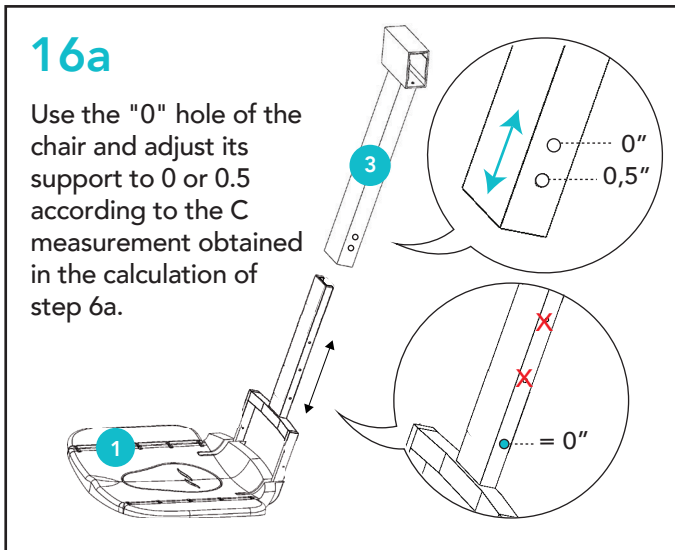
16 Insert the chair in the support and screw according to the adjustment 6a or 6b.



WHERE TO POSITION THE CHAIR (1) ON ITS SUPPORT (3) IF THE BOTTOM OF THE TUB

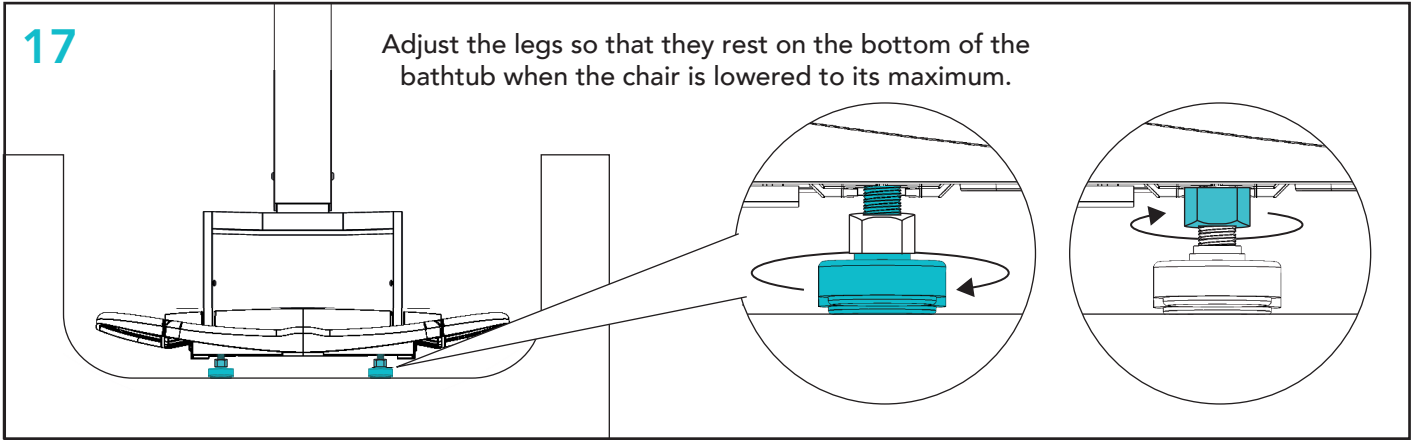
IS HIGHER THAN THE FLOOR

IS LOWER THAN THE FLOOR



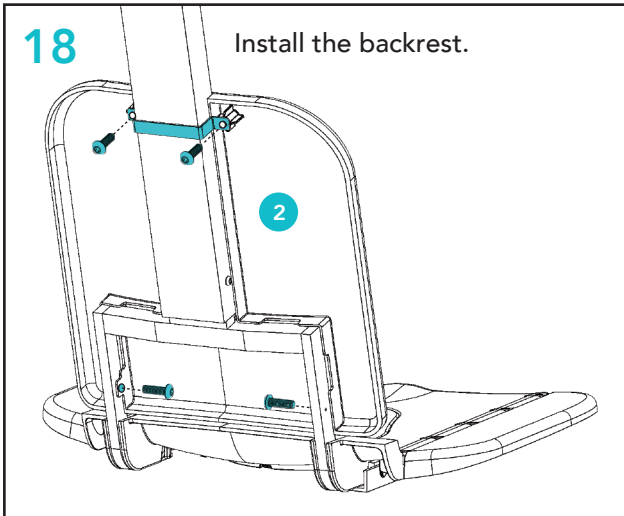
17

Adjust the legs so that they rest on the bottom of the bathtub when the chair is lowered to its maximum.



18

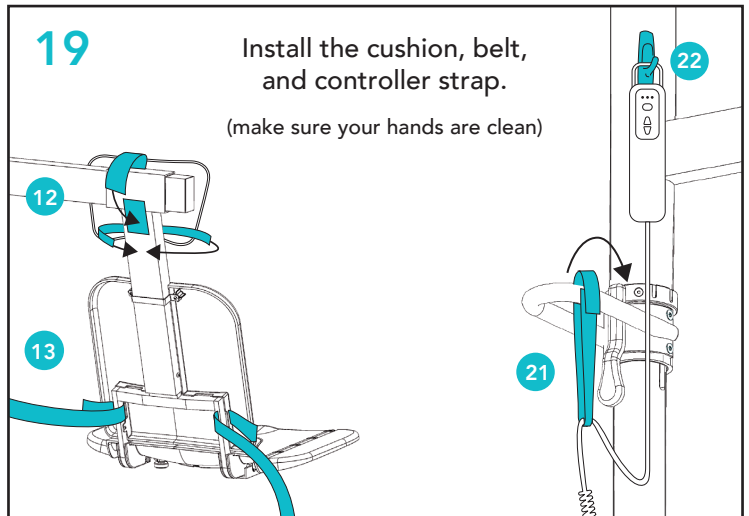
Install the backrest.



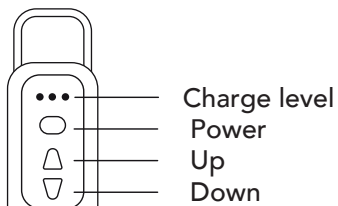
19

Install the cushion, belt, and controller strap.

(make sure your hands are clean)

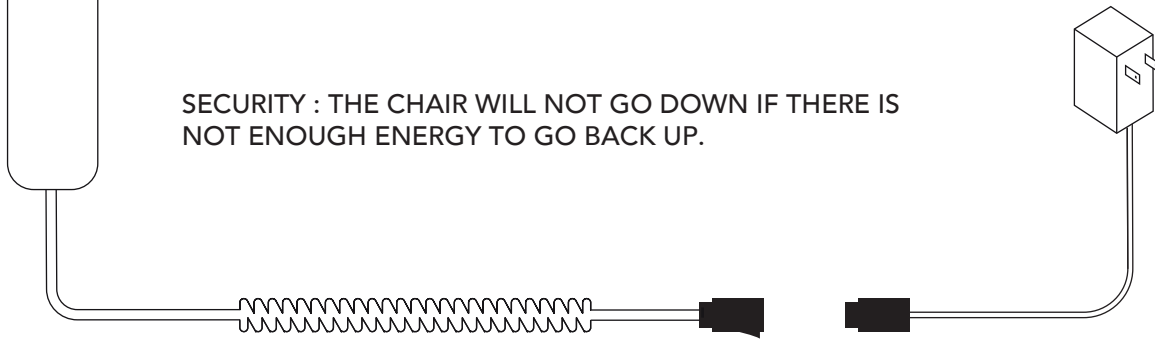


HOW TO USE THE RECHARGEABLE CONTROL LEVER



SECURITY : THE CHAIR WILL NOT GO DOWN IF THERE IS NOT ENOUGH ENERGY TO GO BACK UP.

CHARGER
Charge time : 1h30

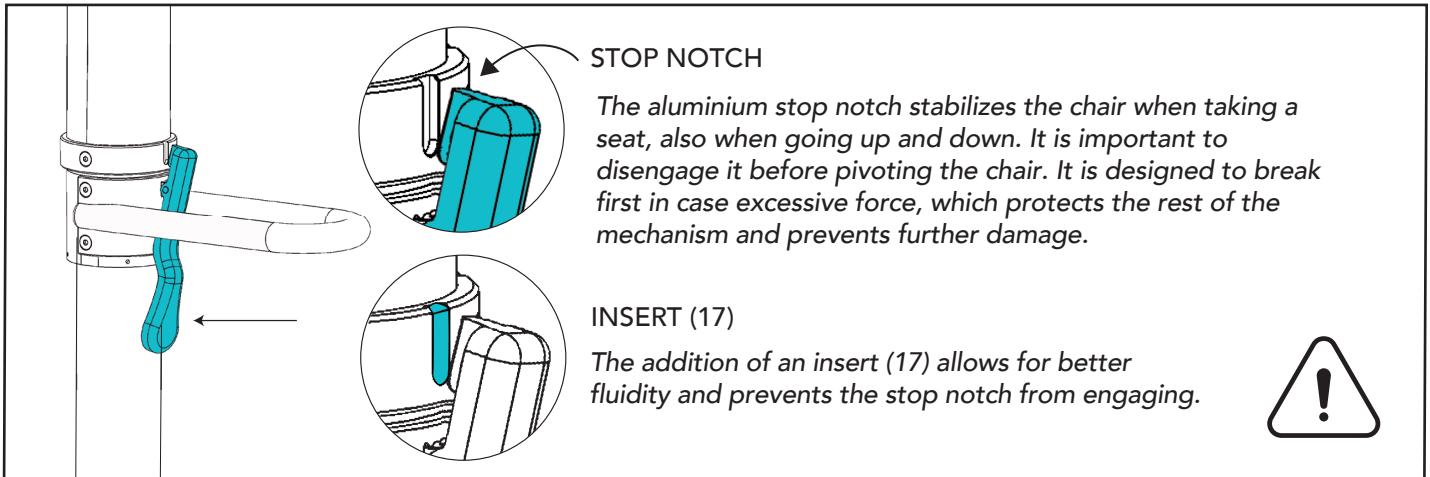


We recommend charging the batteries when the green light is off.

20

CUSTOMIZED SETTINGS ACCORDING TO USAGE TYPE

HOW TO USE THE STOP NOTCH: DISENGAGE IT WHILE ROTATING THE CHAIR



1 SELF-USE WITH STOP NOTCH

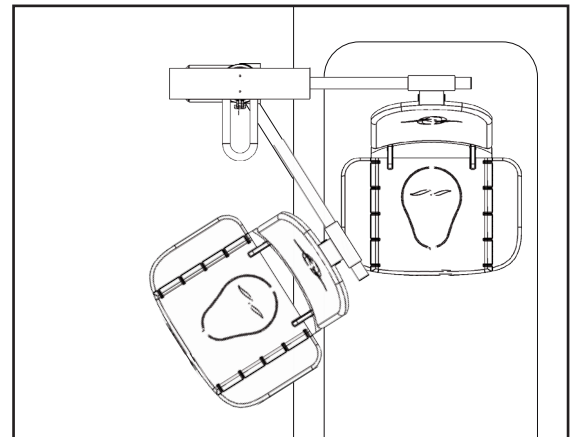
The user must be able to disengage the stop notch when pivoting towards the bathtub and when exiting.

- Stop at the bathtub.
- Stop above the bathtub



The height of the bathtub should not exceed 14 inches to facilitate seating.

ASSEMBLY FOR THIS OPTION: None, the chair is ready to use



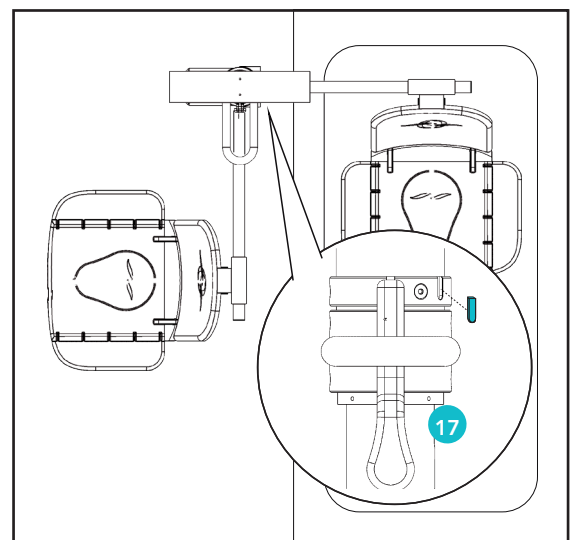
2 ASSISTED USE WITH STOP NOTCH

The caregiver will have the task of disengaging the stop notch and pivoting the user towards the bath while lifting their legs, and doing the same for the exit.

- Stop at the bathtub
- Insert above the bath (17)
- Stop at the bath exit

The bath chair at the exit of the bathtub allows for lowering it to the desired height for easy seating, and then raising it to the necessary height for the pivot over the bathtub by the caregiver.

ASSEMBLY FOR THIS OPTION: Adding an insert



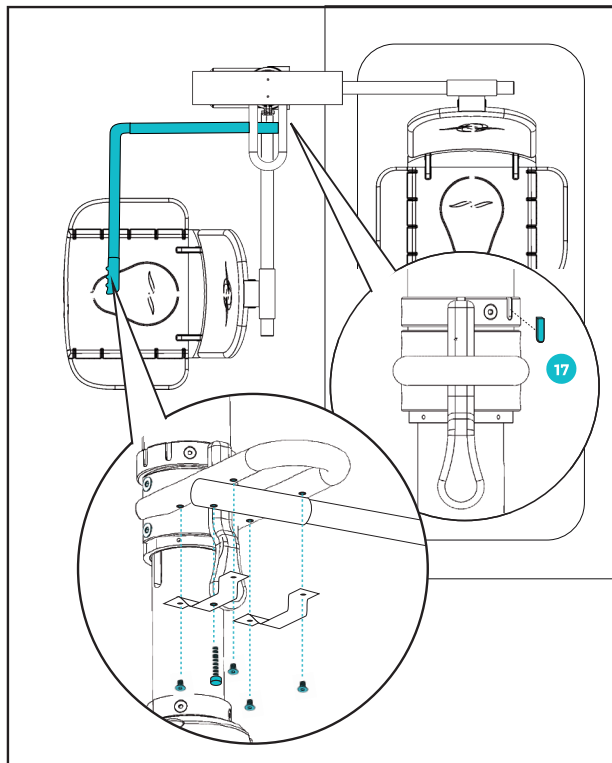
3 SELF-USE WITH STOP NOTCH AND PUSH ARM

The user must be able to disengage the stop notch when pivoting to and from the bath. The push arm will facilitate the pivot.

- Stop at the bathtub
- Insert above the bath (17)
- Stop at the bath exit
- Push arm (sold separately).

The chair at the bath exit allows the user to lower it to the desired height to facilitate seating and then raise it to the maximum height to more easily step over the bath walls. The user will use the push arm (sold separately) to facilitate the pivot over the bath.

ASSEMBLY FOR THIS OPTION:
Addition of insert and addition of push arm

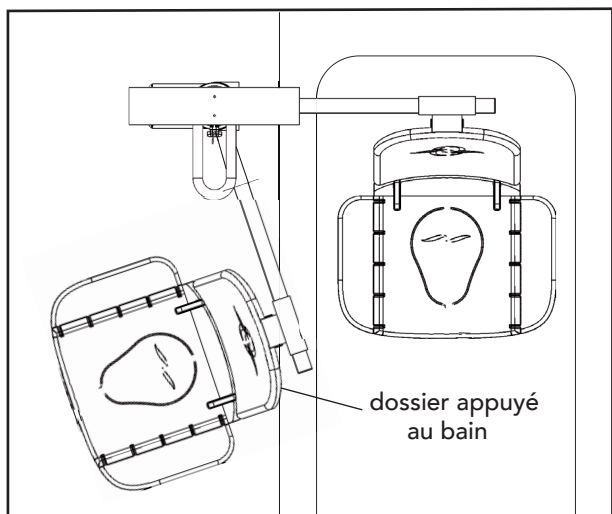


4 SELF-USE OR ASSISTED USE WITHOUT STOP NOTCH

The user or caregiver does not have to disengage the stop notch.

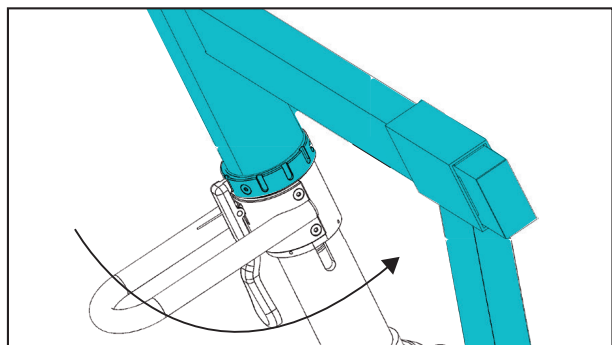
- No stop: continuous and smooth pivot.

The chair is taken out of the bath, lowered to the desired height, the backrest is pressed against the bath wall to prevent it from moving, the user sits down, lifts himself to the desired height to pivot towards the bath, and lifts higher to straddle the wall more easily.

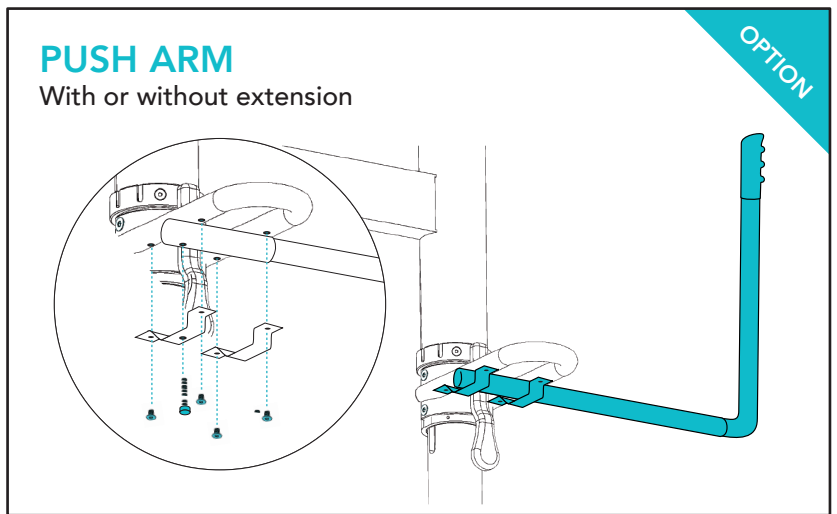
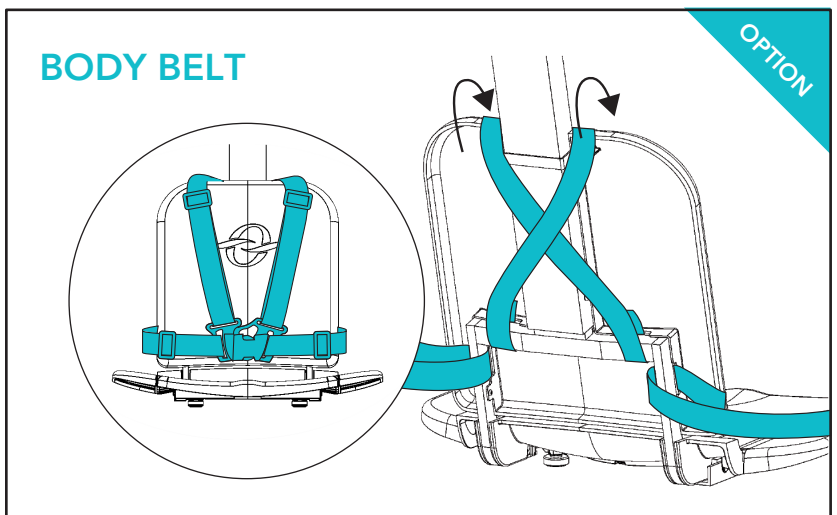
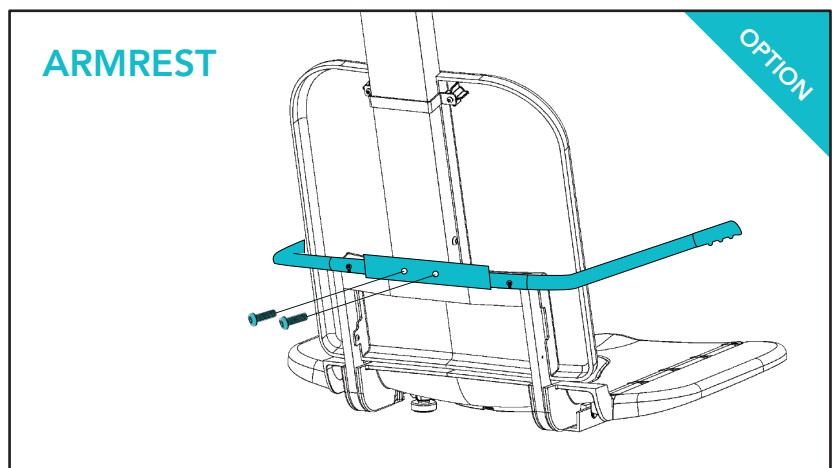
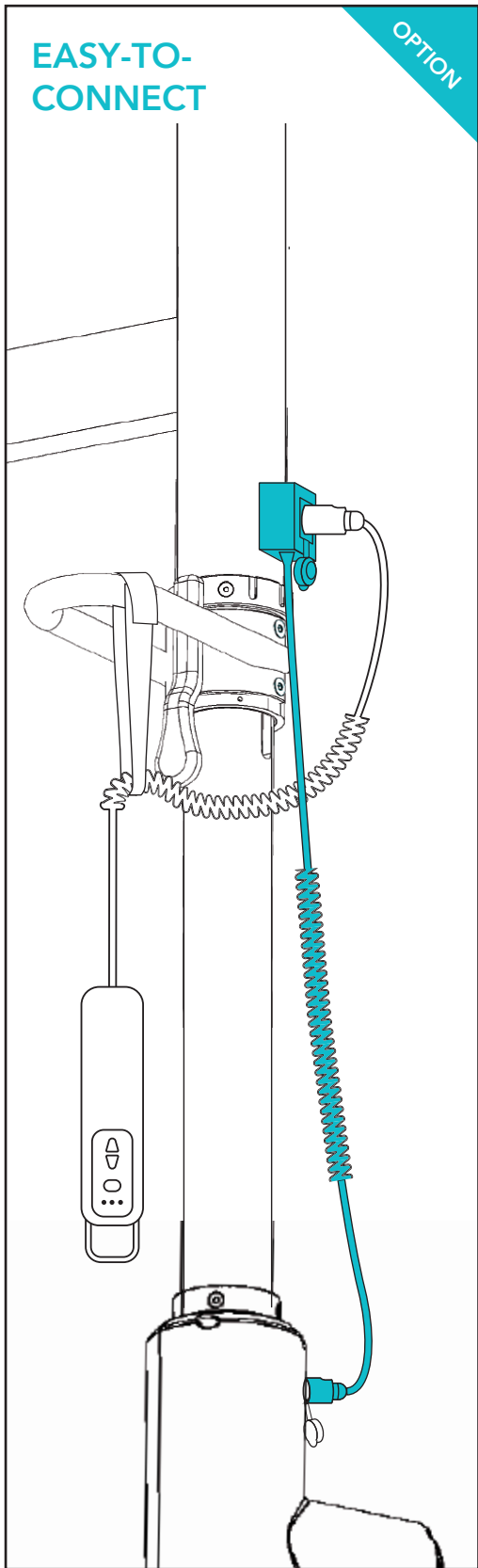


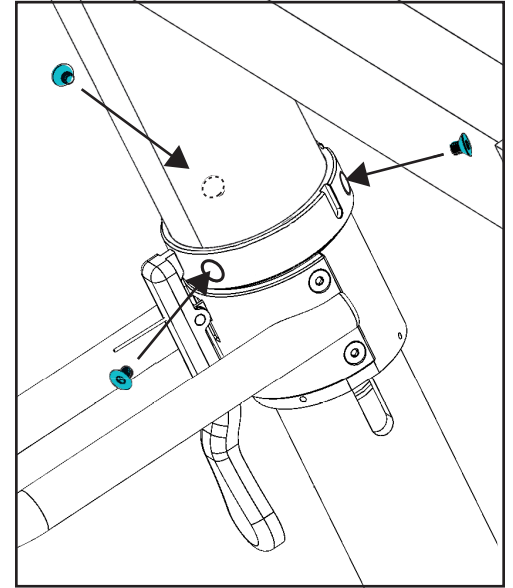
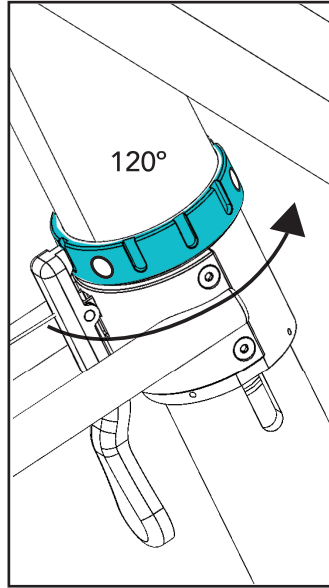
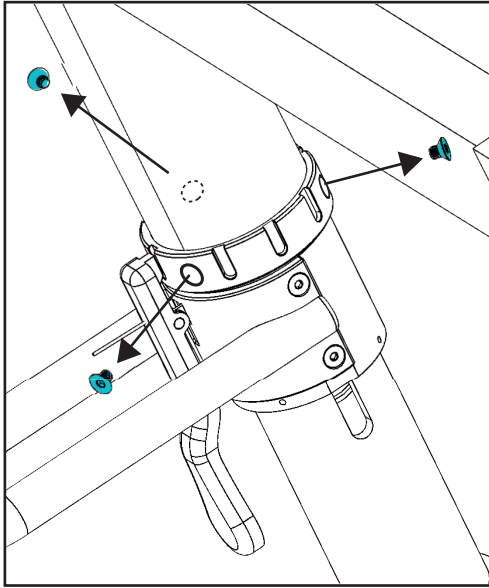
SETTING FOR USE WITHOUT STOP NOTCH:

Rotate the hanger arm towards the bathtub. Remove the 3 screws from the ring. Rotate the ring one-third of a turn towards the hanger arm to send the notches out of its path. This way, the stopper will never engage during the pivot. Replace the 3 screws and tighten them equally.



**ADJUST THE CHAIR ACCORDING TO THE USER'S NEEDS
WITH THE FOLLOWING OPTIONS. (SOLD SEPARATELY)**





To use the chair independently, the user must be able to pivot it manually using the mast grab bar (9), the bathtub rim, or a push arm (available for purchase). Adding a standard grab bar to the opposite wall facilitates pivoting towards the bathtub.

21

Try it out, test and demonstrate the lift chair to the user.

22

Clean the chair and the surrounding area.

23

Take pictures of the installation.



TECHNICAL DATA SHEET

The Secur-O-Bain system is a bath transfer chair whose raising and lowering are electrically powered by 12-volt lithium batteries. Compact, the chair fits into a standard bathroom and fits most bathtubs.

FEATURES

- Maximum user weight: 350 lbs
- Height adjustment from -8 in. to 29 in.
- Rechargeable controller
- Adjustable headrest
- Seatbelt
- Folding seat
- Stop notch
- Grab bar
- Removable cutout for easy access to the perineum

DIMENSIONS

- Mast diameter: 3 in.
- Seat width: 15 ½ in
- Seat width with wings: 23 in.
- Backrest height: 19 in.
- Seat length: 16 in.

CONTROLLER

- Waterproof
- Recharge time: 90 minutes
- Use of 5 to 6 baths before recharging according to the user's weight
- Charging indicator: recharged when the green light goes out
- UL accreditation on electronics parts and charger
- Safety: The descent will not take place if the batteries are not sufficiently charged.

OPTIONS

(sold separately)

- Armrest
- Push arm
- Body belt
- Leg lifts
- Easy-To-Connect



